



Color Door Camera

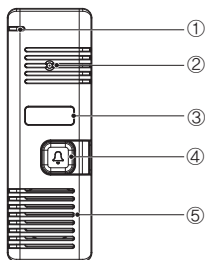


Model

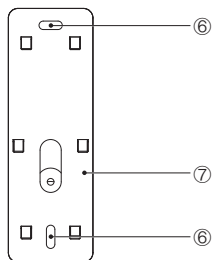
UDP-400

- Please carefully read this User's Guide before using a product and follow instructions to use a product exactly.
- The company is not responsible for any safety accidents caused by abnormal operation of the product.

Overview

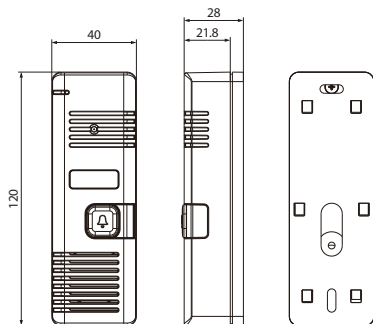


- ① Microphone
- ② Camera Lens
- ③ IR LED
- ④ Call Button
- ⑤ Speaker



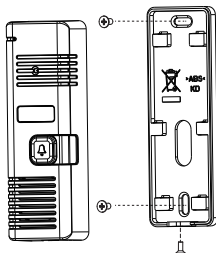
- ⑥ Wall Bracket Screw Hole
- ⑦ Wall Bracket

Dimensions & Wiring



NO	COLOR	CONNECTION
1	RED	POWER
2	GREEN	VOICE
3	YELLOW	VIDEO
4	BLACK	GND
5	BROWN	DOOR RELEASE
6	ORANGE	DOOR RELEASE

Installation



1. Fix a bracket on a wall with screws
2. Wiring #1, 2, 3, 4 on the back side of a door camera with a monitors shown in Dimension & Wiring.
(#1: POWER, #2: VOICE, #3: VIDEO, #4: GND)
3. Door release connection wire as shown in Dimension & Wiring.
(#5: Door Striker, MAX DC 30V, 1A)
4. Put a door camera unit into a wall bracket
5. Tighten a screw at the bottom side of a door camera.

Specifications

MODEL NO.	UDP-400
RELATED VOLTAGE	DC 14V (Supplied from monitor)
WIRING	4 wires (in Polarity) to a monitor
SENSOR TYPE	CMOS image sensor
VIDEO SIGNAL	1Vp-p/75Ω, Composite PAL/NTSC
Door Signal	MAX DC 30V, 1A
MINIMUM ILLUMINATION	0.1Lux (300mm, Day & Night)
IR LED	Infrared LED 3EA
EFFECTIVE VIEWING ANGLE	Diagonal 73°
OPERATING TEMPERATURE	-10 °C ~ +50°C
WEIGHT (g)	147g
DIMENSIONS (mm)	40(W) x 120(H) x 21(D)
DISTANCE	Max 50M(TIV ø0.65)

memo



4F, KOAMI Bldg., 22,Gukhoe-daero 76-gil,Yeongdeungpo-gu,Seoul,150-870,
Korea/KD One global business Dept.
Website : www.kdone.co.kr

20027683A